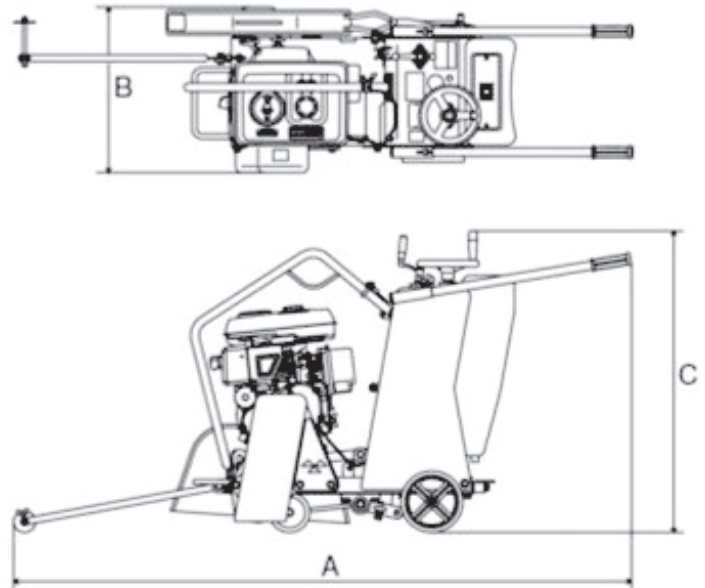


Earthmoving Equipment

vi. Cutters & Drills & Breakers

Concrete Cutter

1.



SK Code	711500	712000
Commodity Name	Concrete cutting machine 14	Concrete cutting machine 18
Manufacturer	MIKASA	MIKASA
Model	MCD-L14	MCD - 218 VDX
Dimension		
A (mm)	1,650	1,990
B (mm)	527	585
C (mm)	930	981
Weight (kg)	86.0	169
Blade size (mm/inch)	254/10-356/14	254/10 - 457/18
Cutting depth (mm)	70-120	70-170
Arbor size (mm)	27	27
Adjusting for cutting depth	Manual lifting screw system	Manual lifting screw system
Fuel type	Gasoline	Gasoline

** Accessory : Diamond Blade : Blade Size 14" & 18" : Inside Diameter 27 mm