

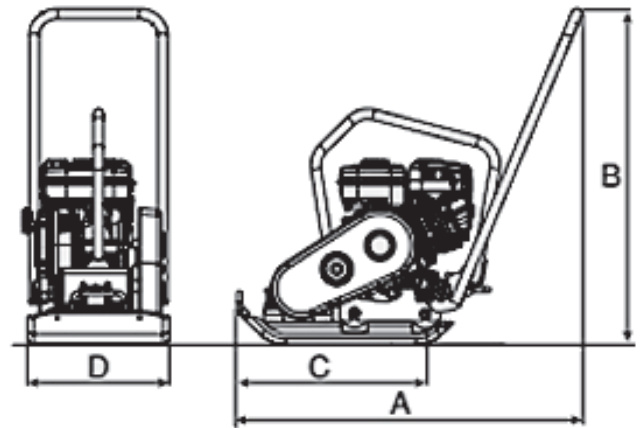
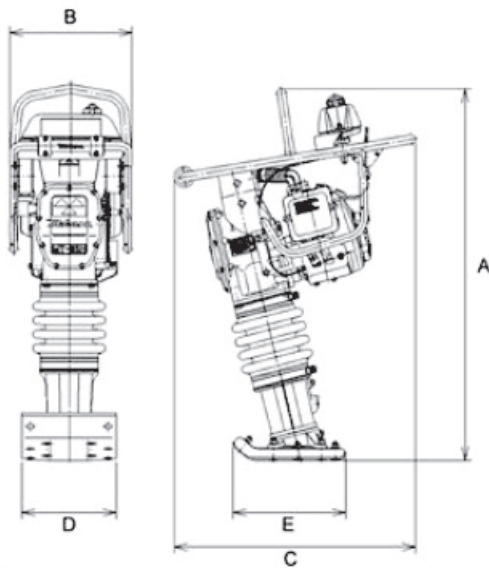
# Earthmoving Equipment

1.

v. Rammer & Plates  
Tamping Rammers



v. Rammer & Plates  
Plate Compactors



SK Code	541100	541200
Commodity Name	Rammer 60	Rammer 70
Manufacturer	MIKASA	HITACHI
Model	MT-65 HE	ZV75RLS
<b>Dimension</b>		
A (mm)	1,070	1,090
C (mm)	730	690
B (mm)	370	360
Weight (kg)	60.0	97.0
<b>Plate Size</b>		
D(mm)	285	280
E (mm)	340	335
Jumping stroke (mm)	50-80	-
Impact force	12.7 kN	24-43 kN/Blow
	1300 kgf	-
Fuel Type	Gasoline	Gasoline

SK Code	531300
Commodity Name	Plate 80
Manufacturer	HITACHI
Model	ZV80P
<b>Dimension</b>	
A (mm)	875
B (mm)	845
D (mm)	485
Weight (kg)	89.0
<b>Plate Size</b>	
C (mm)	480
D (mm)	485
Centrifugal force kN (Kgf)	17.6 (1,790)
Fuel type	Gasoline